

Shelf Trucks
Capacity Range
600 – 6,000 lbs.



Work Height Platform Truck
PWB1108 Capacity 2,000 lbs.

Table Trucks
SH5030 Capacity 1,500 lbs.



- Deck of 1" select hardwood set flush in steel frame.
- Frame of 2" x 1" x 3/16" steel angle.
- 8" x 2" wheels in two swivel and two rigid casters (except Pneumatic tires, size 8" x 2.80/2.50-4).
- Casters bolted to 3/16" steel angle cross bolsters.
- Removable pipe handle sockets with set screws.
- Platform height 31" standard; special heights upon request.

- Size 30" wide x 40" long x 31" high overall. Special sizes also available—advise details.
- Top of 14 ga. sheet steel reinforced with 1 1/2" x 1 1/2" x 3/16" angle center support.
- Bottom frame, corner uprights and caster bolsters all 1 1/2" x 1 1/2" x 3/16" angle.
- Casters two swivel and two rigid with 6" x 2" Versa-Tech® wheels, or 6" x 1 1/2" Metal or Plastex wheels.
- Roller bearings in all wheels.

TO ORDER, SPECIFY MODEL NUMBER AND SUFFIX

★ = two-day
PRONTO® shipment.

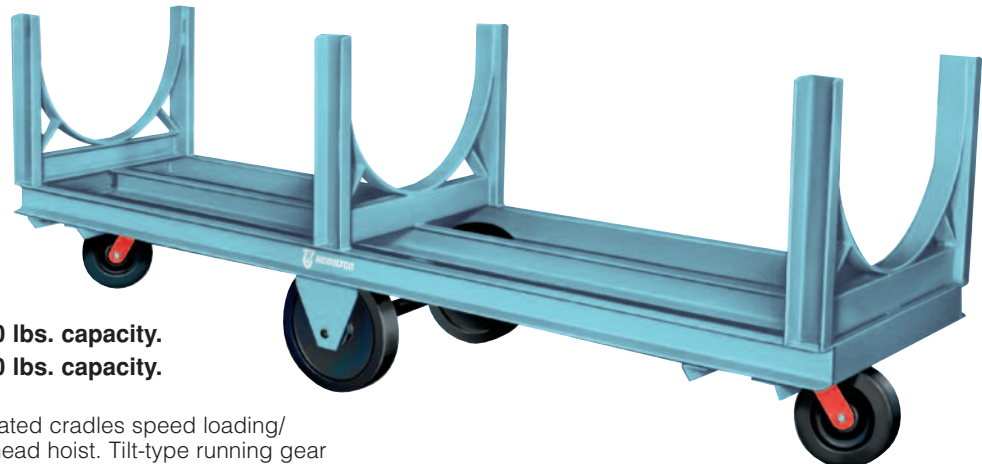
PWB1108 Selection Table

Platform Size Inches	SELECTION SUFFIX				Approx. Weight Lbs.
	Moldon Rubber	Plastex	Pneumatic Tires *	Polyplast	
24 x 48★	-R2448★	-P2448★	-PR2448★	-AY2448★	160
30 x 48★	-R3048★	-P3048★	-PR3048★	-AY3048★	170
30 x 60★	-R3060★	-P3060★	-PR3060★	-AY3060★	185

* Capacity limited to 1,200 lbs. with 8" Pneumatic tires.

- SH5030-M with Metal wheels.
- SH5030-P with Plastex wheels.
- SH5030-TE with Versa-Tech® wheels.

Bar Handling Trucks



BH485 5 ft. long—3,000 lbs. capacity.
BH488 8 ft. long—6,000 lbs. capacity.

Bar Handling Trucks Elevated cradles speed loading/unloading by forklift or overhead hoist. Tilt-type running gear permits turning in its own length. Standard with one swivel caster at each end, but available with two swivel casters at each end when uneven floors exist. Frame and uprights constructed of steel channel. Cradles made of 3/8" flat steel 15" deep.

BH485 is 26" wide x 60" long x 32" high overall with two 12" x 2 1/2" load wheels on a 1" dia. axle and two forged steel swivel casters with 8" x 2" roller bearing wheels. Weight 250 lbs.

BH488 is 26" wide x 96" long x 33 1/2" high overall with two 12" x 3" load wheels on a 1 1/4" dia. axle and two forged steel swivel casters with 8" x 2 1/2" roller bearing wheels. Weight 460 lbs. To order, specify BH485-D or BH488-D with Duralast® polyurethane wheels; 485-M or 488-M with Metal wheels; 485-P or 488-P with Plastex wheels.