

# Extra Heavy Duty Casters

Series EHD — Cap. to 4,000 lbs.

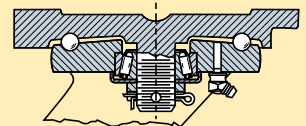


#S-EHD-83DH Swivel showing Duralast® wheel

Hamilton's popular *Extra Heavy Duty* Casters are widely recognized for their superior performance, wide selection, and reliable service. The *EHD's* extra thick hot forgings, guaranteed-for-life integrally forged kingpin and precision tapered thrust bearing combine to defy comparison. Yet high volume enables us to price these superior products among the lowest priced casters in their class. Also available in a dual-wheeled version.

- OPTIONAL ACCESSORIES**  
 – see pages 18 & 19.
- Swivel Locks – 2 or ★ 4-position.
  - Wheel Brakes (-FCB, ★ -IB, -IRB, ★ -ZB [not ★ with tapered bearings], -B).
  - Wheel Bearing Seals.
  - Sealed Swivel Assembly.
  - *Dyna-Disc™* Shock Absorbing Axle.
  - Dual-Wheel Models (see page 29).
  - Heat Treated Raceways.
  - Modified swivel offset available upon request.

**QUALITY FEATURES:**  
**Swivel Construction** – ½" thick drop forged steel mounting plate; ¾" x 3" plate steel legs welded inside and outside to forged steel horn base.



**Kingpin** – 1" dia. integrally forged with mounting plate and threaded for adjustable slotted nut and cotter pin.

**Main Load Bearing** – CNC-machined 4½" diameter raceway; ½" dia. hardened and polished steel balls.

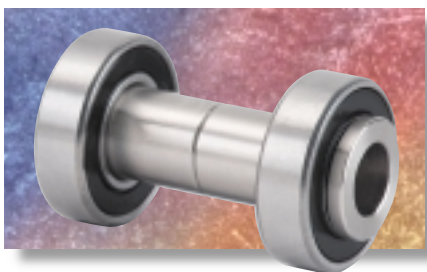
**Secondary Load Bearing** – 1" precision tapered thrust bearing counteracts radial thrust.

**Axle** – ¾" dia. hex head with lock nut.

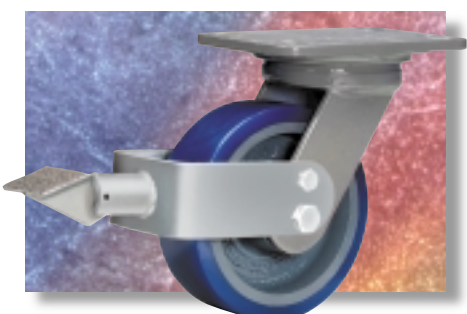
**Wheel Bearings** –

- **Precision Ball Bearings:** (superior rollability & no greasing required) rotate on (2) top hat spanners standard in *Duralast®* and *Poly-Soft®* wheels.
- **Tapered Roller Bearings:** (best for towing and side thrust applications) available in *Duralast®*, *Poly-Soft®*, Metal, Plastex, Forged Steel & M.O. Rubber wheels.
- **Straight Roller Bearings:** case hardened, rotate on long hardened and ground steel spanner bushing standard in Metal, Plastex, Forged Steel, & M.O. Rubber wheels.

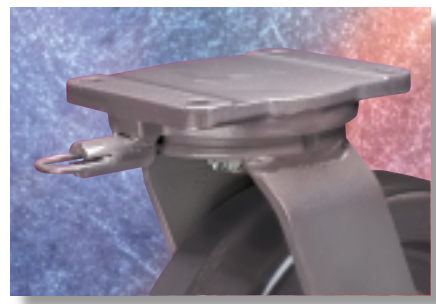
**Lubrication Fittings** – Ball-check type in swivel assembly and wheel hub.



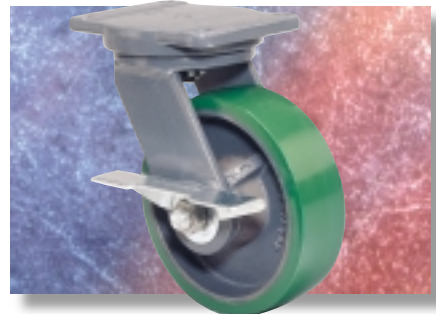
Double Sealed Precision Ball Bearings are now standard in *Duralast®* and *Poly-Soft®* wheel types in all of Hamilton's Forged Steel casters, (excluding 2½" wheel widths). These bearings provide far better rollability compared to straight roller bearings and maintenance costs are reduced because greasing is not required.



This heavy-duty face contact brake (-ZB) is new to Hamilton's brake offerings and is available *PRONTO®* on most of our forged steel and cold forged casters. The new -ZB brake is made from ¾" x 2" plate steel and represents Hamilton's most effective friction-based brake.



Popular *PRONTO®* options on the EHD series are the 4-position swivel lock (-4SL) and the InsTOEmatic Brake (-IB). For more details, see pages 18-19.





Dual-wheel casters constructed from the EHD series are also available. See page 29 for specifications.

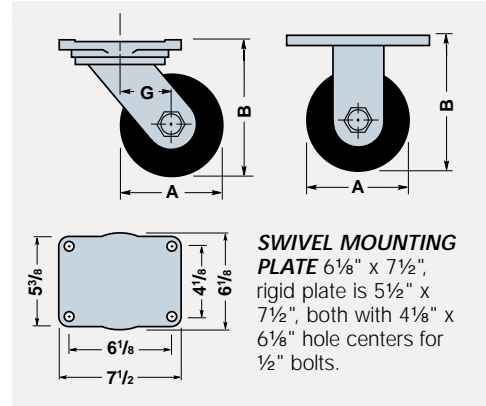
### Wheel Types



Duralast® Forged Steel Metal Plastex Poly-Soft® M.O. Rubber

★ = available for 1-2 day **PRONTO®** shipment.

Dimensions in Inches



**SWIVEL MOUNTING PLATE** 6 1/8" x 7 1/2", rigid plate is 5 1/2" x 7 1/2", both with 4 1/8" x 6 1/8" hole centers for 1/2" bolts.

Dia. A	Wheel			Swivel Caster			Rigid Caster			Load Cap. Lbs.	Overall Height B	Swivel Offset G
	Face	Type	Replacement Number <sup>‡</sup>	Catalog No. Roller/Prec. BB	Catalog No. Tapered Brgs	Wt. Lbs.	Catalog No. Roller/Prec. BB	Catalog No. Tapered Brgs	Wt. Lbs.			
6	2 1/2	Duralast®	W-625-D-1	★ S-EHD-6DH	S-EHD-6DT	32	★ R-EHD-6DH	R-EHD-6DT	26	1600	8 1/2	2 1/2
		Forged Steel	W-625-FSH-1	★ S-EHD-6FSH	S-EHD-6FST	34	★ R-EHD-6FSH	R-EHD-6FST	28	3500		
		Metal	W-625-M-1	★ S-EHD-6MH	S-EHD-6MT	29	★ R-EHD-6MH	R-EHD-6MT	23	2200		
		Plastex †*	W-625-P-1	★ S-EHD-6PH	S-EHD-6PT	24	★ R-EHD-6PH	R-EHD-6PT	18	1800		
		M.O. Rubber	W-625-R-1	★ S-EHD-6RH	S-EHD-6RT	29	★ R-EHD-6RH	R-EHD-6RT	23	540		
		Duralast®	W-630-DB-3/4	★ S-EHD-63DB	★ S-EHD-63DT	30	★ R-EHD-63DB	★ R-EHD-63DT	24	2200		
	3	Forged Steel	W-630-FSH-1	★ S-EHD-63FSH	★ S-EHD-63FST	41	★ R-EHD-63FSH	★ R-EHD-63FST	35	4000		
		Metal	W-630-M-1	★ S-EHD-63MH	S-EHD-63MT	32	★ R-EHD-63MH	R-EHD-63MT	26	2500		
		Plastex †*	W-630-P-3/4	★ S-EHD-63PH	S-EHD-63PT	26	★ R-EHD-63PH	R-EHD-63PT	20	2000		
		Poly-Soft®	W-630-SPB-3/4	★ S-EHD-63SPB	★ S-EHD-63SPT	30	★ R-EHD-63SPB	★ R-EHD-63SPT	24	1800		
		M.O. Rubber*	W-630-R-1	★ S-EHD-63RH	X	29	★ R-EHD-63RH	X	23	680		
		Duralast®	W-825-D-1	★ S-EHD-8DH	S-EHD-8DT	34	★ R-EHD-8DH	R-EHD-8DT	28	2000		
8	2 1/2	Metal	W-825-M-1	★ S-EHD-8MH	S-EHD-8MT	34	★ R-EHD-8MH	R-EHD-8MT	28	2500		
		Plastex	W-825-P-1	★ S-EHD-8PH	S-EHD-8PT	26	★ R-EHD-8PH	R-EHD-8PT	20	2000		
		M.O. Rubber	W-826-R-1	★ S-EHD-8RH	S-EHD-8RT	29	★ R-EHD-8RH	R-EHD-8RT	23	670		
		Duralast®	W-830-DB-3/4	★ S-EHD-83DB	★ S-EHD-83DT	36	★ R-EHD-83DB	★ R-EHD-83DT	30	2500		
	3	Forged Steel	W-830-FSH-1	★ S-EHD-83FSH	★ S-EHD-83FST	41	★ R-EHD-83FSH	★ R-EHD-83FST	35	4000		
		Metal	W-830-M-1	★ S-EHD-83MH	S-EHD-83MT	39	★ R-EHD-83MH	R-EHD-83MT	33	2600		
		Plastex †*	W-830-P-1	★ S-EHD-83PH	S-EHD-83PT	29	★ R-EHD-83PH	R-EHD-83PT	23	3000		
		Poly-Soft®	W-830-SPB-3/4	★ S-EHD-83SPB	★ S-EHD-83SPT	36	★ R-EHD-83SPB	★ R-EHD-83SPT	30	2000		
		M.O. Rubber	W-830-R-1	★ S-EHD-83RH	S-EHD-83RT	31	★ R-EHD-83RH	R-EHD-83RT	25	840		
		Duralast®	W-840-D-1	S-EHD-84DH	X	34	R-EHD-84DH	X	28	3200		
10	2 1/2	Duralast®	W-1025-D-1	★ S-EHD-10DH	S-EHD-10DT	32	★ R-EHD-10DH	R-EHD-10DT	26	2500	12 1/2	2 1/2
		Metal	W-1025-M-1	★ S-EHD-10MH	S-EHD-10MT	38	★ R-EHD-10MH	R-EHD-10MT	32	2500		
		Plastex	W-1025-P-1	★ S-EHD-10PH	S-EHD-10PT	30	★ R-EHD-10PH	R-EHD-10PT	24	2500		
		M.O. Rubber	W-1025-R-1	★ S-EHD-10RH	S-EHD-10RT	36	★ R-EHD-10RH	R-EHD-10RT	30	790		
	3	Duralast®	W-1030-DB-3/4	★ S-EHD-13DB	★ S-EHD-13DT	42	★ R-EHD-13DB	★ R-EHD-13DT	36	3000		
		Forged Steel	W-1030-FSH-1	★ S-EHD-13FSH	★ S-EHD-13FST	51	★ R-EHD-13FSH	★ R-EHD-13FST	45	4000		
		Metal	W-1030-M-1	★ S-EHD-13MH	S-EHD-13MT	42	★ R-EHD-13MH	R-EHD-13MT	36	2600		
		Plastex	W-1030-P-1	★ S-EHD-13PH	S-EHD-13PT	33	★ R-EHD-13PH	R-EHD-13PT	27	2900		
		Poly-Soft®	W-1030-SPB-3/4	★ S-EHD-13SPB	★ S-EHD-13SPT	42	★ R-EHD-13SPB	★ R-EHD-13SPT	36	2400		
		M.O. Rubber	W-1030-R-1	★ S-EHD-13RH	S-EHD-13RT	38	★ R-EHD-13RH	R-EHD-13RT	32	1000		
		M.O. Rubber	W-1040-R-1	S-EHD-14RH	X	60	R-EHD-14RH	X	54	1400		
		12	3	Duralast®	W-1230-DB-3/4	★ S-EHD-12DB	★ S-EHD-12DT	57	★ R-EHD-12DB	★ R-EHD-12DT		
Metal	W-1230-M-1			★ S-EHD-12MH	S-EHD-12MT	50	★ R-EHD-12MH	R-EHD-12MT	44	2500		
Plastex	W-1230-P-1			★ S-EHD-12PH	S-EHD-12PT	32	★ R-EHD-12PH	R-EHD-12PT	26	3500		
Poly-Soft®	W-1230-SPB-3/4			★ S-EHD-12SPB	★ S-EHD-12SPT	57	★ R-EHD-12SPB	★ R-EHD-12SPT	51	2800		
M.O. Rubber	W-1230-R-1			★ S-EHD-12RH	S-EHD-12RT	40	★ R-EHD-12RH	R-EHD-12RT	34	1140		

‡ With straight roller or precision ball bearings. For catalog number of corresponding tapered bearing wheels, consult factory.

\* These wheels lubricated through lube axle.

† Straight-sided wheel.

EXTRA HEAVY DUTY CASTERS (cont'd)