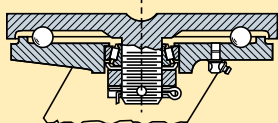


QUALITY FEATURES:

Swivel Construction – 5/8" thick drop forged steel mounting plate (rigid plate 1/2" thick); outer legs 3/8" x 5" plate steel continuously welded inside and outside to forged steel horn base (center leg 3/8" x 2").



Kingpin – 1/4" dia. integrally forged with mounting plate prevents bending or breaking; threaded for slotted adjusting nut.

Main Load Bearing – 7" dia. raceway with 5/8" polished steel balls flame-hardened (to Rockwell C50).

Secondary Load Bearing – 1 1/4" precision tapered thrust bearing counteracts radial thrust.

Axle – 1" or 1 1/4" dia. stressproof alloy steel with adjustable slotted nut and cotter pin.

Wheel Bearings – 1" or 1 1/4" precision tapered bearings mounted directly on axle; or 1 1/4" hardened and ground straight roller bearing rotates on 1 1/4" O.D. x 1" I.D. hardened and ground steel spanner bushing.

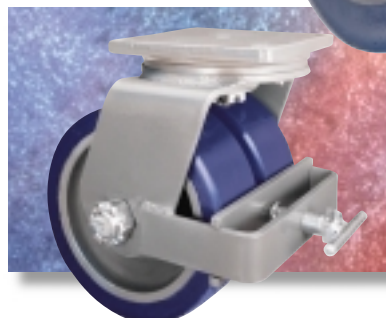
Lubrication Fittings – Ball-check type in swivel assembly and wheel hub.

This dual-wheel series version of the **Maxi-Duty** caster addresses the problem of how to restrict overall height while at the same time provide adequate carrying capacity on resilient tread wheels. Dual-Wheel Casters also improve stability and swivel more easily than wider-face single wheels because differential action reduces the "scrubbing" effect of soft treads against the floors.

For dual wheel casters in use with lighter duty applications, see page 29.



#S-MDD-104SYT
Swivel showing
Superlast® wheels



#S-MDD-104SYT-DHCB showing
Heavy-Duty Tread Contact Brake



OPTIONAL ACCESSORIES

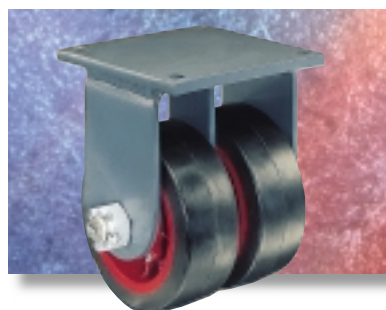
– see pages 18 & 19.

- Main Unit Load Bearing (in lieu of balls).
- Swivel Locks - 2 or 4 position.
- Wheel Brakes (-DHCB).
- Wheel Bearing Seals.
- Sealed Swivel Assembly.

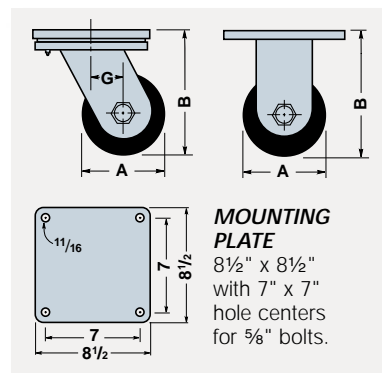
Wheel Types



Duralast® M.O. Rubber Superlast®



#R-MDD-83RH Rigid showing
Moldon Rubber wheels



Dimensions in Inches

Dia. A	Wheel			Swivel Caster			Rigid Caster			Load Cap. Lbs.	Overall Height B	Swivel Offset G
	Face	Type	Replacement Number*	Catalog No. Roller Brgs.	Catalog No. Tapered Brgs.	Wt. Lbs.	Catalog No. Roller Brgs.	Catalog No. Tapered Brgs.	Wt. Lbs.			
8	3	Duralast®	W-830-DT-1 1/4	S-MDD-83DH	S-MDD-83DT	76	R-MDD-83DH	R-MDD-83DT	64	5000	11	2 1/2
		M.O. Rubber	W-830-RT-1	S-MDD-83RH	S-MDD-83RT	73	R-MDD-83RH	R-MDD-83RT	61	1680		
		Superlast®	W-830-SYT-1 1/4	X	S-MDD-83SYT	99	X	R-MDD-83SYT	87	7000		
10	3	Duralast®	W-1030-DT-1 1/4	S-MDD-13DH	S-MDD-13DT	85	R-MDD-13DH	R-MDD-13DT	73	6000	13	3
		M.O. Rubber	W-1040-RT-1 1/4	S-MDD-104RH	S-MDD-104RT	98	R-MDD-104RH	R-MDD-104RT	83	2800		
		Superlast®	W-1040-SYT-1 1/4	X	S-MDD-104SYT	138	X	R-MDD-104SYT	123	10000		
12	3	Duralast®	W-1230-DT-1 1/4	S-MDD-12DH	S-MDD-12DT	125	R-MDD-12DH	R-MDD-12DT	115	7000	15 1/2	3 3/4
		Duralast®	W-1240-DT-1 1/4	X	S-MDD-124DT	135	X	R-MDD-124DT	125	9600		
		M.O. Rubber	W-1240-RT-1 1/4	S-MDD-124RH	S-MDD-124RT	109	R-MDD-124RH	R-MDD-124RT	99	3200		
		Superlast®	W-1240-SYT-1 1/4	X	S-MDD-124SYT	213	X	R-MDD-124SYT	159	12000		

* With Tapered roller bearings. For catalog number of corresponding straight roller bearing wheels, consult factory.