

# Stainless Steel Casters

## Series STA — Cap. to 800 lbs.



#S-STA-6AZ showing Aqualite® wheel

To meet those unusual requirements where corrosive environments or sanitary considerations demand casters having all rig and hardware components of stainless steel, Hamilton offers these industrial duty models. Type 303 stainless steel flat tread and V-Grooved wheels round out a variety of problem solving wheel choices.

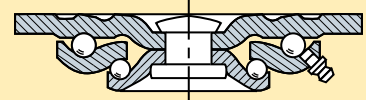
What's more, most models are stocked for **PRONTO**® shipment within two days—eliminating the long wait often associated with procurement of specialty casters.

A special high-lustre finish not only enhances appearance, but also provides a smoother, less porous surface that's more impervious to dirt and easier to clean.

For Stainless Steel Casters with higher capacities, see page 35.

### QUALITY FEATURES:

**Swivel Construction** – cold-formed mounting plate, horn base and 1/8" x 2" welded-on legs all Type 304 stainless steel.



**Kingpin** – permanent rivet-type, 5/16" diameter stainless steel.

**Main and Secondary Load Bearings** – Type 440 stainless steel balls rotating in two smoothly coined raceways.

**Axle** – 1/2" diameter stainless steel bolt and lock nut.

**Wheel Bearings** – solid 3/4" I.D. x 1 3/16" O.D. Delrin® bearings rotating on a stainless steel spanner bushing 3/4" O.D. x 1/2" I.D. x 2 7/16" long, except as noted.

**Lubrication** – Pre-lubricated at factory with a high quality multi-purpose grease.

### OPTIONAL ACCESSORIES

– see pages 18 & 19.

- Swivel Lock - ★ 2 position only (-2SL).
- Wheel Brakes (★-SCB).
- Sealed Swivel Assembly.

### Wheel Types

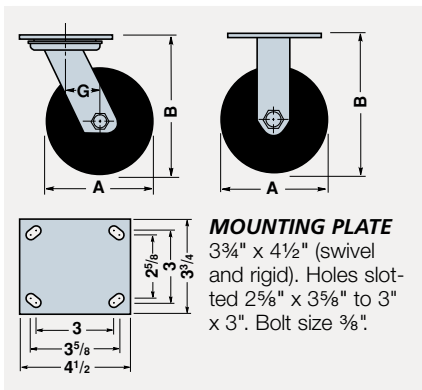


★ = available for 1-2 day **PRONTO**® shipment.

Dimensions in Inches



#S-STA-6UYZ-SCB showing Unilast™ wheel and Stainless Steel Tread Contact Brake



Dia. A	Face	Wheel		Swivel Caster		Rigid Caster		Load Cap. Lbs.	Overall Height B	Swivel Offset G
		Type	Replacement Number	Catalog Number	Wt. Lbs.	Catalog Number	Wt. Lbs.			
5	2	Aqualite®	W-520-AZ-3/4	★ S-STA-5AZ	4	★ R-STA-5AZ	3	650	6 1/2	1 1/16
		Plastex	W-520-PZ-3/4	★ S-STA-5PZ	5	★ R-STA-5PZ	4	800		
		Poly-Tech®	W-520-NFZ-3/4	★ S-STA-5NFZ	5	★ R-STA-5NFZ	4	800		
		Stainless*	W-520-S-3/4	★ S-STA-5S	13 1/2	★ R-STA-5S	12 1/2	800		
		S.S. V-Grooved*	W-520-SV-3/4	★ S-STA-5SV	12	★ R-STA-5SV	11	800		
		Stainless	W-520-SZ-3/4	★ S-STA-5SZ	13 1/2	★ R-STA-5SZ	12 1/2	800		
		S.S. V-Grooved	W-520-SVZ-3/4	★ S-STA-5SVZ	12	★ R-STA-5SVZ	11	800		
		Unilast®	W-520-UYZ-3/4	★ S-STA-5UYZ	5	★ R-STA-5UYZ	4	800		
		Versa-Tech®	W-520-TEZ-3/4	★ S-STA-5TEZ	5	★ R-STA-5TEZ	4	350		
6	2	Aqualite®	W-620-AZ-3/4	★ S-STA-6AZ	4 3/4	★ R-STA-6AZ	3 3/4	750	7 1/2	2 1/16
		Plastex	W-620-PZ-3/4	★ S-STA-6PZ	5 3/4	★ R-STA-6PZ	4 3/4	800		
		Poly-Tech®	W-620-NFZ-3/4	★ S-STA-6NFZ	5 3/4	★ R-STA-6NFZ	4 3/4	800		
		Stainless*	W-620-S-3/4	★ S-STA-6S	18 1/2	★ R-STA-6S	17 1/2	800		
		S.S. V-Grooved*	W-620-SV-3/4	★ S-STA-6SV	16 1/2	★ R-STA-6SV	15 1/2	800		
		Stainless	W-620-SZ-3/4	★ S-STA-6SZ	18 1/2	★ R-STA-6SZ	17 1/2	800		
		S.S. V-Grooved	W-620-SVZ-3/4	★ S-STA-6SVZ	16 1/2	★ R-STA-6SVZ	15 1/2	800		
		Unilast®	W-620-UYZ-3/4	★ S-STA-6UYZ	5 3/4	★ R-STA-6UYZ	4 3/4	800		
		Versa-Tech®	W-620-TEZ-3/4	★ S-STA-6TEZ	5 3/4	★ R-STA-6TEZ	4 3/4	410		
8	2	Aqualite®	W-820-AZ-3/4	★ S-STA-8AZ	6 1/4	★ R-STA-8AZ	4 3/4	800	9 1/2	2 1/2
		Plastex	W-820-PZ-3/4	★ S-STA-8PZ	8	★ R-STA-8PZ	6 1/2	800		
		Poly-Tech®	W-820-NFZ-3/4	★ S-STA-8NFZ	8	★ R-STA-8NFZ	6 1/2	800		
		Stainless*	W-820-S-3/4	★ S-STA-8S	32	★ R-STA-8S	30 1/2	800		
		S.S. V-Grooved*	W-820-SV-3/4	★ S-STA-8SV	29	★ R-STA-8SV	27 1/2	800		
		Stainless	W-820-SZ-3/4	★ S-STA-8SZ	32	★ R-STA-8SZ	30 1/2	800		
		S.S. V-Grooved	W-820-SVZ-3/4	★ S-STA-8SVZ	29	★ R-STA-8SVZ	27 1/2	800		
		Unilast®	W-820-UYZ-3/4	★ S-STA-8UYZ	8	★ R-STA-8UYZ	6 1/2	800		
		Versa-Tech®	W-820-TEZ-3/4	★ S-STA-8TEZ	8	★ R-STA-8TEZ	6 1/2	500		

\* These plain bore wheels lubricated through lube axle.

▶ Stainless steel precision ball bearings (1/2") are available in these models. Change "Z" to "B"—e.g., S-STA-6SB.