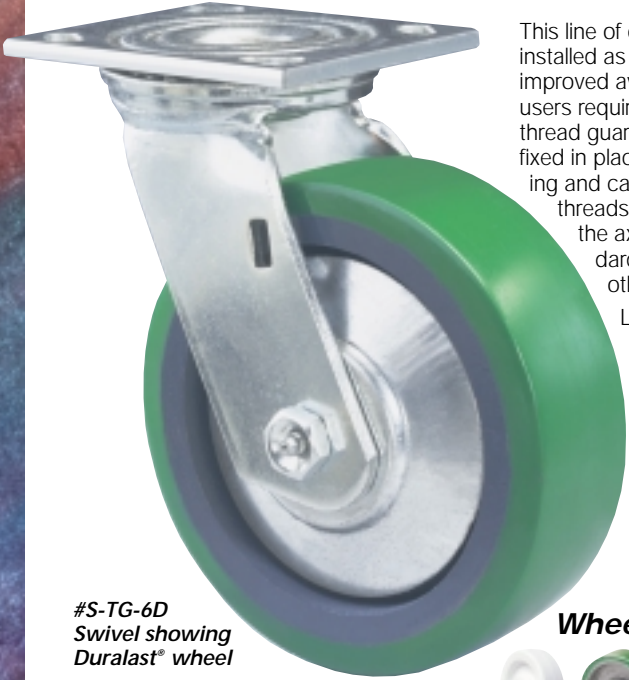


Thread Guard Casters

Series TG — Cap. to 900 lbs.



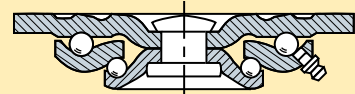
#S-TG-6D
Swivel showing
Duralast® wheel

This line of casters, with thread guards installed as standard equipment, provides improved availability for textile industry users requiring 2" face wheels. The thread guards are metal or plastic discs fixed in place between the spanner bushing and caster leg to prevent loose threads from being wound around the axle. Zinc plating is the standard finish for the caster rigs and other hardware.

Lube-type axles with drilled spanner bushings for relubrication are furnished on all models, because thread guards block access to fittings in the wheel hub.

QUALITY FEATURES:

Swivel Construction – formed steel mounting plate and horn base. Legs $\frac{3}{16}$ " x 2" plate steel, formed and continuously welded to horn base.



Kingpin – permanent rivet-type, $\frac{5}{8}$ " diameter.

Main and Secondary Load Bearings – hardened and polished steel balls rotate in two heat treated raceways.

Axle – $\frac{1}{2}$ " diameter hollow lube-type with lock nut.

Wheel Bearings – $\frac{3}{4}$ " I.D. rotating on $\frac{3}{4}$ " O.D. x $\frac{1}{2}$ " I.D. x $2\frac{1}{2}$ " long hardened and ground steel spanner bushing. Delrin® bearings are standard in **Aqualite®** wheels, $\frac{3}{4}$ " case hardened straight roller bearing in all others.

Lube Fitting – to swivel assembly.

Wheel Types



Dimensions in Inches

OPTIONAL ACCESSORIES

- see pages 18 & 19.
- Wheel Brakes, Tread Contact.
- Wheel Bearing Seals, for roller bearing wheels.
- Sealed Swivel Assembly.

Dia. A	Face	Wheel		Swivel Caster		Rigid Caster		Load Cap. Lbs.	Overall Height B	Swivel Offset G
		Type	Replacement Number	Catalog Number	Wt. Lbs.	Catalog Number	Wt. Lbs.			
4	2	Aqualite®	W-420-AZ- $\frac{3}{4}$	S-TG-4AZ	4½	R-TG-4AZ	4	550	5½	1 $\frac{13}{16}$
		Duralast®	W-420-D- $\frac{3}{4}$	S-TG-4D	8	R-TG-4D	7½	750		
		Metal	W-420-M- $\frac{3}{4}$	S-TG-4M	7¼	R-TG-4M	6¾	900		
		M.O.Rubber	W-420-R- $\frac{3}{4}$	S-TG-4R	7½	R-TG-4R	7	300		
		Plastex	W-420-P- $\frac{3}{4}$	S-TG-4P	5½	R-TG-4P	5	800		
		Unilast®	W-420-UY- $\frac{3}{4}$	S-TG-4UY	5½	R-TG-4UY	5	750		
		Versa-Tech®	W-420-TE- $\frac{3}{4}$	S-TG-4TE	5	R-TG-4TE	4½	300		
5	2	Aqualite®	W-520-AZ- $\frac{3}{4}$	S-TG-5AZ	5¼	R-TG-5AZ	4½	650	6½	1
		Duralast®	W-520-D- $\frac{3}{4}$	S-TG-5D	8½	R-TG-5D	7¾	900		
		Ebonite	W-520-EH- $\frac{3}{4}$	S-TG-5E	6¼	R-TG-5E	5½	550		
		Metal	W-520-M- $\frac{3}{4}$	S-TG-5M	9	R-TG-5M	8¼	900		
		M.O.Rubber	W-520-R- $\frac{3}{4}$	S-TG-5R	7½	R-TG-5R	6¾	350		
		Plastex	W-520-P- $\frac{3}{4}$	S-TG-5P	6¼	R-TG-5P	5½	900		
		Poly-Tech®	W-520-NF- $\frac{3}{4}$	S-TG-5NF	6	R-TG-5NF	5¼	900		
		Unilast®	W-520-UY- $\frac{3}{4}$	S-TG-5UY	5¾	R-TG-5UY	5	900		
		Versa-Tech®	W-520-TE- $\frac{3}{4}$	S-TG-5TE	5½	R-TG-5TE	4¾	350		
6	2	Aqualite®	W-620-AZ- $\frac{3}{4}$	S-TG-6AZ	5¾	R-TG-6AZ	5¼	750	7½	2½
		Duralast®	W-620-D- $\frac{3}{4}$	S-TG-6D	10	R-TG-6D	9½	900		
		Metal	W-620-M- $\frac{3}{4}$	S-TG-6M	9¾	R-TG-6M	9¼	800		
		M.O.Rubber	W-620-R- $\frac{3}{4}$	S-TG-6R	8½	R-TG-6R	8	410		
		Plastex	W-620-P- $\frac{3}{4}$	S-TG-6P	7	R-TG-6P	6½	900		
		Polylast	W-620-AY- $\frac{3}{4}$	S-TG-6AY	6¾	R-TG-6AY	6¼	900		
		Poly-Tech®	W-620-NF- $\frac{3}{4}$	S-TG-6NF	6¼	R-TG-6NF	5¾	900		
		Unilast®	W-620-UY- $\frac{3}{4}$	S-TG-6UY	6½	R-TG-6UY	6	900		
		Versa-Tech®	W-620-TE- $\frac{3}{4}$	S-TG-6TE	6	R-TG-6TE	5½	410		
8	2	Aqualite®	W-820-AZ- $\frac{3}{4}$	S-TG-8AZ	6½	R-TG-8AZ	6	900	9½	2¾
		Duralast®	W-820-D- $\frac{3}{4}$	S-TG-8D	13	R-TG-8D	12½	900		
		Metal	W-820-M- $\frac{3}{4}$	S-TG-8M	12½	R-TG-8M	12	900		
		M.O.Rubber	W-820-R- $\frac{3}{4}$	S-TG-8R	11½	R-TG-8R	11	500		
		Plastex	W-820-P- $\frac{3}{4}$	S-TG-8P	8½	R-TG-8P	8	900		
		Polylast	W-820-AY- $\frac{3}{4}$	S-TG-8AY	8¼	R-TG-8AY	7¾	900		
		Poly-Tech®	W-820-NF- $\frac{3}{4}$	S-TG-8NF	7	R-TG-8NF	6½	900		
		Unilast®	W-820-UY- $\frac{3}{4}$	S-TG-8UY	7¼	R-TG-8UY	6¾	900		
		Versa-Tech®	W-820-TE- $\frac{3}{4}$	S-TG-8TE	6¾	R-TG-8TE	6¼	500		

